

1. Brief introduction

1.1 Description of product model

Sequence No.	Model	Product name
1	JB305-OS-M59-001	305 Color Door Station(9)
2	JB305-IS-V34-001	305 Color indoor phone(V34)

1.2 Functions and features

- 4-wire BUS connection.
- The system supports maximum 4 indoor phones and 2 outdoor stations.
- A pinhole camera is used, supporting LED lighting compensation and a night viewing function.
- Support connection with an external analogue camera with CVBS signals.
- Support hands-free video intercom, monitoring and unlocking functions.
- Two options to release doors, by Signal or by Power.
- Call transfer function.

1.3 Technical parameters

Camera: 1 / 4" color CMOS pinhole camera
 TFT display: 7" TFT-LCD
 Video signal: 1V_{P-P} / 75Ω
 Call time limit: 60s
 IP rate: IP54 (GB4208-93)
 Working voltage: DC18V ± 10%
 Working temperature of the outdoor station: -25 °C ~ + 70 °C
 Working temperature of the indoor phone: -25 °C ~ + 55 °C
 Working current: Outdoor station ≤ 200 mA
 Indoor phone ≤ 200 mA

Transmission distance (see the table below)

Wiring mode	1 outdoor station and 1 indoor phone	2 outdoor stations and 2-4 indoor phones
Recommended wire diameter	≥ 0.5mm ²	≥ 0.5mm ²
Recommended wire length	≤ 70m	The distance between the outdoor station ① and indoor phone ③ may not exceed 70m, and the total wire length may not exceed 100m. (see part 2.3)

Appendix: Technical parameters of power adapter

Input voltage: AC100V~240V

Output voltage: DC18V

Output current: 1A

2. Installation and commissioning

2.1 Outdoor station structure and installation diagram (FIG.1)

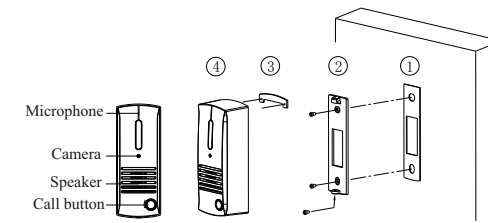


FIG.1

Installation instructions:

- Fix the hanging board ② together with a cushioning sealing ring ① on wall by using two self-tapping screws, at a height about 1.40m from the ground.
- Lock the outdoor station ④ together with a cushioning sealing gasket ③ with one M3 countersunk screw.

305 Villa Video Door phone (Cost-effective) User Manual (V1.0)

- Please read the User Manual carefully before operation on this product.
- Technical specifications and contents are subject to change accordingly without advance notification.

RP.000.ZC-SM.227

Xiamen Leelen Technology Co., Ltd.

2.2 Indoor phone structure and installation diagram (FIG.2)

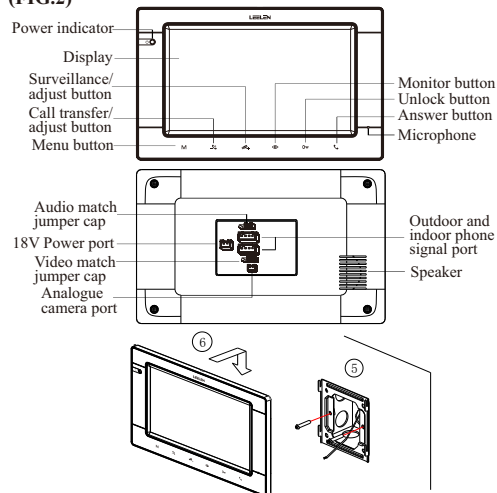


FIG. 2

Installation instructions:
 Lock the hanging board ⑤ on a pre-embedded box with screws, after wiring, hang the indoor phone ⑥ on the hanging board according to the direction indicated in the diagram.

2.3 System wiring diagram

(1) 1 outdoor station and 1 indoor phone (FIG.3)

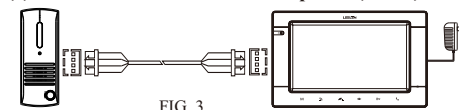


FIG. 3

(2) 2 outdoor stations and 4 indoor phones (FIG.4)

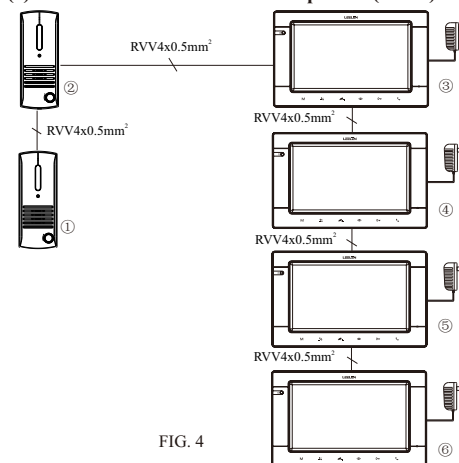


FIG. 4

(3) Detailed wiring diagram of the system (FIG.5)

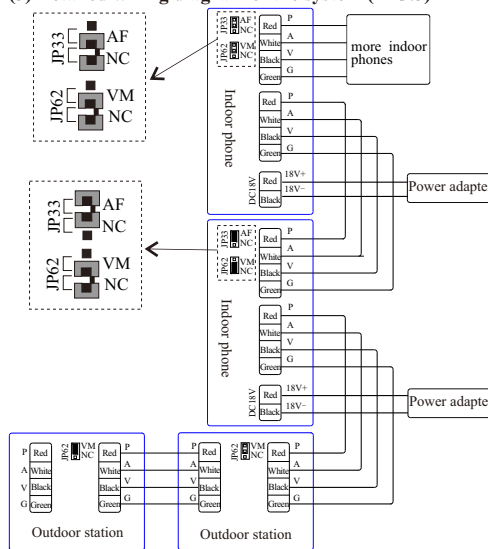


FIG. 5

Note:

- See 2.6 for details of audio match (JP33) and video match (JP62) introductions.
- All "PAVG" ports have no difference.

(4) Wiring diagram of signal e-locks (FIG.6)

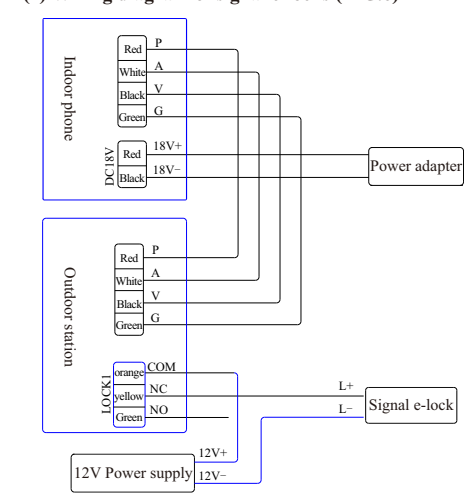


FIG. 6

Note:

- The unlock time is 5s.
- COM terminal has to be connected. NC means close circuit. NO means open circuit. Please choose a right terminal according to the e-locks.

(5) Wiring diagram of electric control/power e-locks (FIG.7)

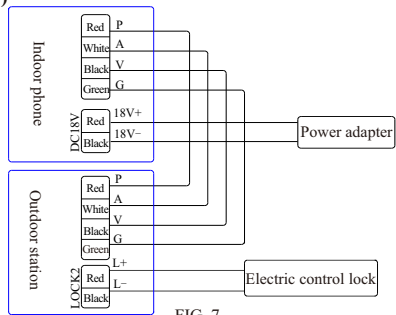


FIG. 7

Note: a. The unlock time is 5s.
b. Please mind if the wires of e-locks are nonpolarity.

(6) Wiring diagram of the analogue camera (FIG.8)

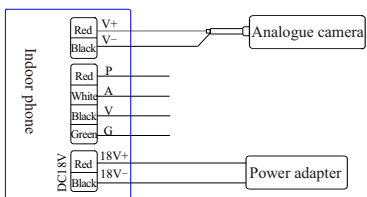


FIG. 8

8

4. Precautions

- 4.1 Never power on before installation.
- 4.2 Note the colors of the wires during wiring to avoid inverse wiring from damaging the products.
- 4.3 Ensure that the products can be adapted to the environmental temperature during installation and use.
- 4.4 Avoid the outdoor station from rain and strong sunlight.

5. Troubleshooting

Common problems	Possible reasons	Solutions
No response to the outdoor station's call	Poor contact between the power adapter and local socket	Check the connection or Replace 220V socket
The indoor phone has no image, but other functions are normal	Black video signal wire is disconnected	Connect the wire again
Poor image quality of the indoor phone	Incorrect location of the video match jumper cap of the indoor phone or outdoor station	Insert the jump cap at the correct position according to instruction
The outdoor station fails to call the indoor phone, and there is a prompt sound which indicates a call failure	Incorrect location of the audio match jumper cap of the indoor phone	Insert the jump cap at the correct position according to instruction

If the problems are still there, please contact the local distributor.

12

2.4 Factory settings

When the system has only 1 outdoor station and 1 indoor phone, the default factory settings are employed without changes; and when there are 2 outdoor stations and 2-4 indoor phones, please refer to 2.5 and 2.6 for setting.

2.5 Serial number of the extendable outdoor station

When the system has 2 outdoor stations, the outdoor stations need to be numbered. Long-press the Call button on the outdoor station for 6 seconds, and then you enter the serial number setting menu after hearing double beeps. Under such circumstances, if you click on the Call button twice quickly, the outdoor station is set as No.1 outdoor station; and if you click on the Call button three times quickly, the outdoor station is set as a No.2 outdoor station. After setting is completed, the outdoor station will sound a long beep, the settings are automatically saved and then exit the setting menu.

During the setting status, it will exit if there is no operation within 15s or a one click on the Call button.

2.6 Audio and video match

(1) Audio match instructions

When the system has only 1 outdoor station and 1 indoor phone, keep the JP33 audio match jumper cap of the indoor phone at the FA terminal (default setting) unchanged;

9

6. Packing list

Outdoor station	1 piece
Indoor phone	1 piece
Power adapter	1 piece (optional)
User manual	1 piece
Accessories	1 set

13

when the system has 2 outdoor stations and 2~4 indoor phones, the JP33 audio match jumper cap of the one indoor phone which is closest to the outdoor station is kept at the AF terminal, and the JP33 audio match jumper caps of the rest indoor phones shall be inserted at the NC terminal.

(2) Video match instructions

The JP62 video match jumper caps of the outdoor station ① and indoor phone ⑥ (see part 2.3) shall be kept at VM terminal (default setting), and the JP62 video match jumper caps of the rest outdoor and indoor phones are inserted at the NC terminal.

3. Operations

3.1 Call and Answer

Press the Call button on an outdoor station can call all the indoor phones that are connected. The indoor phones ring and display the image sent from the outdoor station. Any indoor phone answers the call by pressing the "☎" button, the rest of indoor phones will stop ringing. The ringtone of the indoor phones is set as "Ding Tone." The ringtone lasts 20s, and the display keeps showing the image to 40s. After 40s the call automatically hangs up if there is no answer. The communication time is 60s. After the talk is finished, press the "☎" button to end the call.

10

3.2 Call transfer

During communication status, press the "☎" button on the indoor phone to transfer the call to the rest of indoor phones.

3.3 Monitor

Press the "📺" button on the indoor phone to monitor outdoor station. Press the "📺+" button to monitor the external analogue video camera. The monitoring time is 60s. If there are several outdoor stations, press "📺" button again and again to monitor the outdoor stations by turn.

3.4 Unlock

During communication status, press "🔓" button on the indoor phone to unlock the door. The outdoor station will sound one beep. The unlocking time is fixed as 5s.

3.5 Parameters setting

In any status, press "M" button, the menu of parameters (call volume, ringtone volume, color, brightness and contrast) will pop up. Pressing "M" button each time represents confirming the current status and switching to the next parameter. "🔼" and "🔽" buttons are used for adjustment. "🔼+" button means increasing; "🔽" button means decreasing. Press the "☎" button to save the adjustment and exit.

11

Restricted substances

Part Name	Toxic and hazardous substances or elements					
	Lead (Pb)	Mercury (Hg)	Cadmium (Cd)	Hexavalent chromium (Cr ⁶⁺)	Polybrominated biphenyl (PBB)	Polybrominated diphenyl ether (PBDE)
Metal part	O	O	O	O	O	O
Plastic part	O	O	O	O	O	O
CRT display screen	X	O	O	O	O	O
LCD screen	O	O	O	O	O	O
Circuit board component*	X	O	O	O	O	O
Power cord/cable	X	O	O	O	O	O
Power/adaptor	X	O	O	O	O	O
Packaging	O	O	O	O	O	O

This form was prepared in accordance with SJ/T 11364
 *: Circuit board component include a printed circuit board and its components, such as resistors, capacitors, integrated circuits, etc
 O : It indicates that the contents of the hazardous substance in all homogeneous materials of the part are below the limit requirement specified in GB/T 26572
 X : It indicates that the contents of the hazardous substance in at least one of the homogeneous materials of the part exceed the limit requirement specified in GB/T 26572

Address: No.65 (Leelen Technical Zone) South Sunban Road, Jimci, Xiamen
 Fax: 0086-592-6299688
 Postcode: 361021
 Material No.: RP.000.ZC-SM.227
 Version: 1.0



12